



## Ratchet P Clamp

Rugged Bundle Management for Heavy Duty Applications



# Rugged Bundle Management for Heavy Duty Applications



You are always looking to reduce costs and streamline work flows. But to adopt a new component, it also needs to meet your needs for versatility, durability and ease of use – without compromising performance.

The Ratchet P Clamp's patent-pending design makes it extremely versatile for managing wire harnesses and cables. Its rugged construction and specialized materials are perfect for heavy duty applications, indoors and out.

You close the one-piece adjustable clamp manually, exactly to the desired diameter. Audible clicks let you know that it's secured. Releasing the bundle is simple and nondestructive – all you need is a small, flat head screwdriver.

Offered in four sizes and in several mounting configurations, the reusable design minimizes part inventory, speeds fastening and simplifies maintenance.

Old fashioned P clamps are difficult to position, can twist and pinch wires during installation, and complicate maintenance. They corrode or wear out over time. Plus, you often need to invest in an extensive inventory to have all the sizes and variations you need.

Engineered with both the application and the user in mind, Ratchet P Clamp offers:

- Versatility – Secure hard lines, soft cable bundles ranging from ¼" to 2" wide
- Ease of Use – Position, torque down, close by hand – that's it!
- Alignment – Center cables as the clamp closes
- Durability – PA66 body and high grade steel mounting plate never wears out or corrodes

## Markets

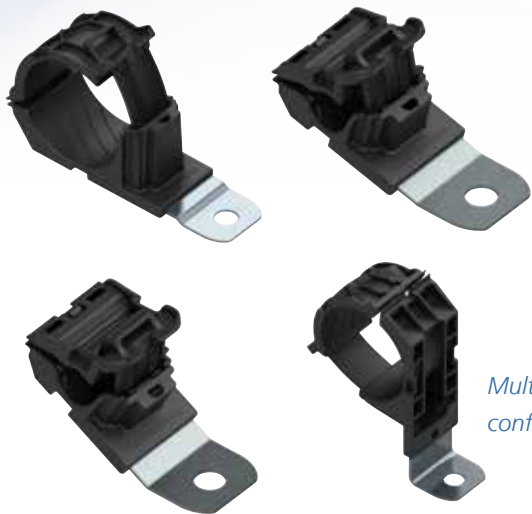


# Versatility

*Working with a mix of wires and cable sizes? Need to route multiple bundles in parallel? Ratchet P Clamp will secure a range of cables without changing any other part of your cable routing and management strategy.*

## Multiple Sizes

Four ratchet sizes accommodate hard line and soft cable bundles ranging from 0.24" (6.2mm) - 2.0" (51mm) in diameter. You can reduce your inventory with only a few adjustable P clamps.



*Multiple angle configurations*

## Mounting Options

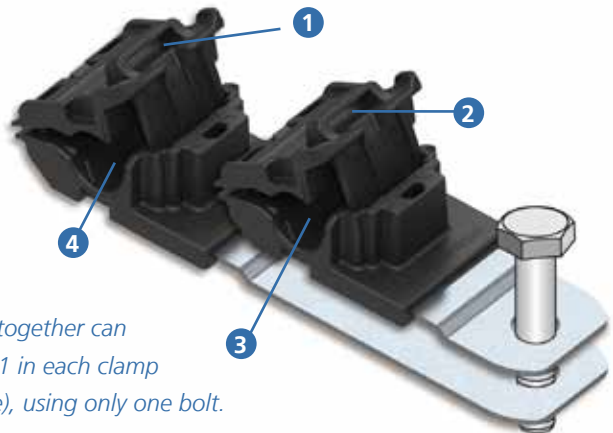
From slightly offset to raised off the frame or panel, and with various angles and mounting plate lengths, you can fix cables exactly where design specifications dictate. Each mounting plate option is offered in four angles (180°, 15°, 30° and 90°) and three different mounting hole diameters: M8 (8mm), M10 (10mm) and M12 (12mm).



*Three mounting plate length options*

## Multiple Configurations

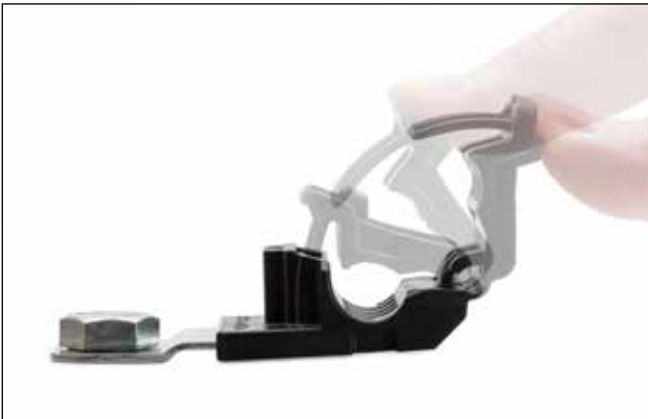
You can stack and mix Ratchet P Clamps with different mounting plate lengths and angles to manage diverse cable combinations. There is an unlimited number of possible routing options and configurations.



*Stacking a short and long length together can give you up to 4 fixing points (1 in each clamp and 1 in each cable tie saddle), using only one bolt.*

## Ease of Use

*No more struggling with grommets and two-piece designs that are difficult to handle. We also eliminated having to pry open the clamp when you need to reposition a bundle or change out the clamp. And you can use our EVO hand tools to secure the ratchet, if that is how you prefer to work.*



### One-Piece Design – One-Touch Secure

Our one-piece, solid body design is operated manually, clicking as it closes to let you know it's secure. You'll also never have to put a clamp in place and struggle to mount it while holding the pieces together around the bundle.



### Releasability

Releasability is one of Ratchet P Clamp's unique features. All you need is a small, flat head screwdriver to open the clamp. Simply guide the screwdriver between the ratchet rails and push down. Ratchet P Clamp's non-destructive, releasable clamp streamlines bundle installation and service.

### Tension Tab

The Tension Tab is a molded plastic strap engineered specifically for using EVO Series hand tools to close a Ratchet P Clamp. Tension Tabs enable you to fix bundles with precision, at any of 33 preset tension settings.



Optional Tension Tab

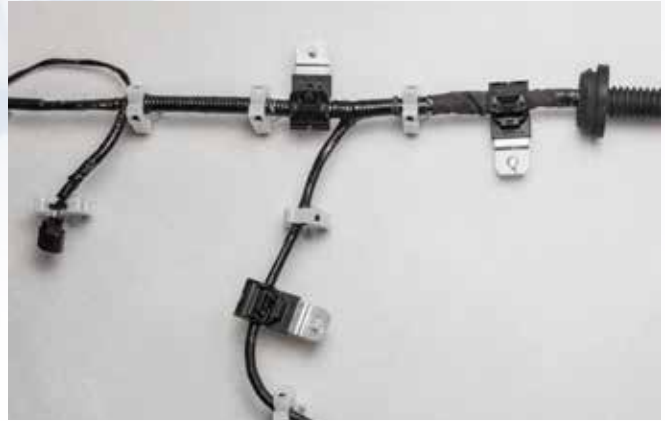
# Alignment

*Because the clamp area is independent from the mounting plate, the design allows for pre-installation on frame rails and pre-assembly on wire harnesses. The advantage? Greater efficiencies that drive productivity and profitability.*

## Pre-installation/Pre-assembly



During pre-installation, simply install bolts in mounting plates and leave the clamps open. You can then insert the bundle into multiple clamps along the route, in one pass, reducing installation time by getting the alignment right the first time.



You can also attach Ratchet P Clamps along wire harnesses to pre-assemble the harness before taking the next step. You'll streamline the process and add production line workflow flexibility.



## Contoured Clamp Interior

The contoured clamp interior helps to position and center bundles as the clamp closes, minimizing pinching and the associated rework caused by damage to wires.



## Cable Tie Saddle

Working with customers on a variety of applications, we learned that electrical runs and other bundles sometimes need to be secured adjacent to side-by-side bundles. That inspired us to add the integrated cable tie saddle for additional routing. Rounded to cradle the bundle, the cable tie saddle enables fixing everything from T18 to wide strap ties.

## Durability

*Whether you are assembling trucks or automobiles, manufacturing severe duty vehicles or wiring a solar farm, you'll know that the cables will be secure, easy to maintain and functional for years to come.*

### Robust Materials



Impact modified, heat and UV stabilized PA66 material clamp is extremely durable and will not abrade cables and hoses. There's no coating to wear off and the robust living hinge is engineered to far exceed any expected application requirements.



The stamped mounting plate is treated to resist chemicals and has a coating that meets RoHS specifications for environmental factors. The special hardened steel withstands high torque bolt installation.

### Soft Inserts

Adding grommets or dipping metal P clamps in PVC has traditionally been the approach to making them less abrasive. But grommets sometimes fail to fit properly and PVC wears off over time.

Soft Inserts are an accessory that eliminates those issues, snapping precisely into the body of the clamp to provide an enhanced level of protection. You now have an ideal solution for applications with movement, high vibration or soft cable bundles.



# How to Choose a Ratchet P Clamp

## STEP 1: Determine bundle diameter.

Match the bundle diameter range to the wire bundles you use.

SIZE	BUNDLE DIAMETER RANGE
A	0.24" - 0.54" (6.2mm - 13.7mm)
B	0.5" - 0.77" (12.7mm - 19.5mm)
C	0.76" - 1.42" (19.4mm - 36.0mm)
D	1.42" - 2.0" (36.0mm - 51.0mm)



## STEP 2: Choose routing orientation/variant.

Choose from 180° straight, 15°, 30° or 90° angles.



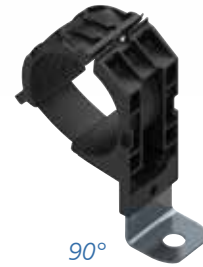
180° straight



15°



30°



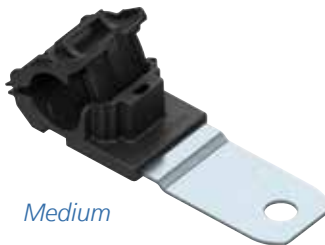
90°

## STEP 3: Specify the length of the mounting plate.

We designed the mounting plate specification to be equal to the distance from center of clamp to center of mounting hole. (Some angles/variants are not offered in all three lengths.)



Short



Medium



Long

## STEP 4: Choose bolt size/mounting hole diameter.

Each mounting plate option is offered in three different mounting hole diameters to accommodate the most common bolt sizes: M8 (8mm), M10 (10mm) and M12 (12mm).

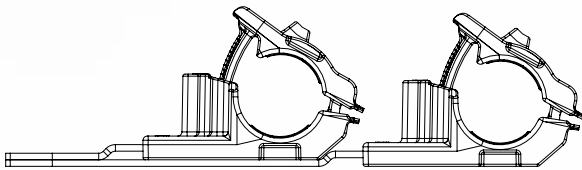




## Multiple Configurations

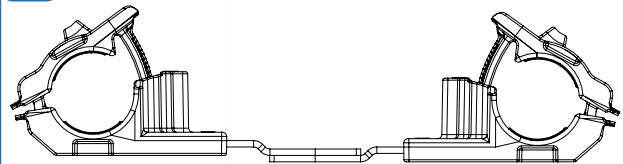
*The wiring schemes in heavy duty applications become more complex day after day. Using a single mounting point, you can combine Ratchet P Clamps to match the number, position and diameters of the bundles inherent to today's wire management challenges. You'll see below just a few of the nearly endless number of configurations you can arrange by mixing Ratchet P Clamps of varying sizes and different mounting plates.*

1



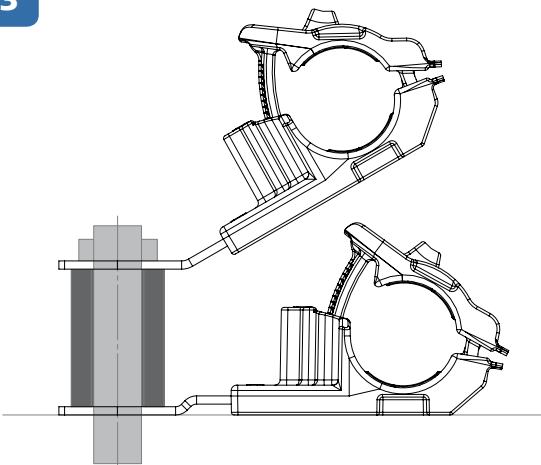
You can piggy-back Ratchet P Clamps by using different length mounting plates to secure parallel cable configurations.

2



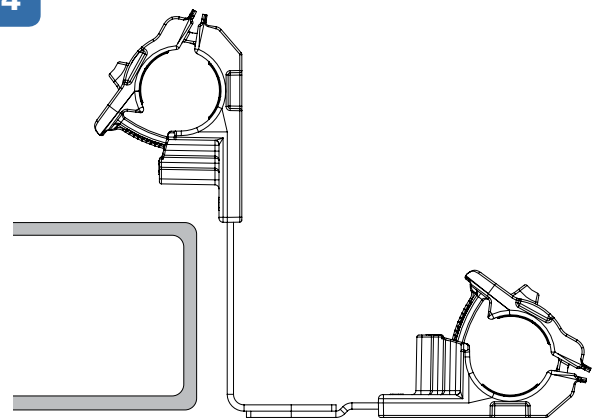
Ratchet P Clamp mounting plates are shaped to allow face-to-face positioning. By using different length mounting plates, you can vary the distance between bundles and take advantage of the optimal routing path.

3



Add a spacer between Ratchet P Clamps to speed installation and maintenance of stacked wire bundles.

4



90° angle mounting plates enable you to work around obstacles and protect wire from contacting moving parts.

# Features

*Integrated cable tie saddle provides a second fixing point.*

*Impact modified, heat and UV stabilized PA66 plastic ensures long-term durability.*

*One-piece ratchet closure allows for easy installation, one-touch close.*

*Screwdriver release enables easy adjustments and maintenance.*

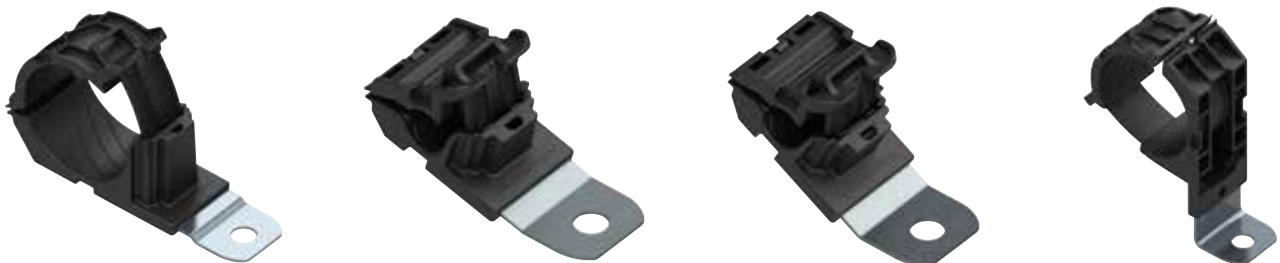
*Contoured clamp interior is designed to guide and center bundle to reduce pinching.*

*Tension Tabs slide through this slot to facilitate closure using an EVO Series hand tool.*

*Interior rib design minimizes movement due to vibration.*

*Mounting plates are available with M8, M10 and M12 diameter hole sizes.*

*High grade steel mounting plate tolerates high torque mounting and is treated to resist chemicals and salt spray.*



### Ratchet P Clamp

For bundle diameters from ¼" to ½"

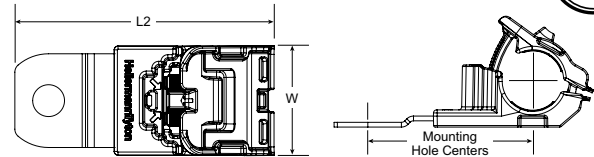
The Ratchet P Clamp family offers versatility when managing wires, cables, and hoses. The robust design and durable materials make it ideal for heavy duty applications, both indoors and out. The one-piece adjustable clamp can be closed by hand to the desired bundle diameter. The release feature provides an easy and non-destructive removal of cables by simply using a flat head screwdriver. This nondestructive release allows the clamp to be reused without removing or replacing any bolts or screws. The Ratchet P Clamp is offered in four sizes and in multiple mounting configurations.

#### Features and Benefits

- One-piece ratchet closure design allows for easy installation during pre- or final assembly.
- Four sizes and multiple configurations handle a wide range of diameters and applications, reducing part inventory.
- Clamp interior is designed to guide and center bundle to reduce pinching.
- Easy release feature allows for quick adjustments and maintenance.
- Impact-modified, heat and UV stabilized PA66 provides long-term durability, inside and out.
- Steel mounting plate tolerates high torque mounting and is treated to resist chemicals and salt spray.
- Soft material inserts are available for sensitive bundles.
- For pre-determined clamp pressure, a Tension Tab is available for use with our EVO Series hand tools.



Material Data	
Material	Polyamide 6.6 high impact modified, heat and UV stabilized (PA66HIRHSUV)
Operating Temperature	-40°F to +221°F (-40°C to +105°C)
Flammability	UL94 HB



Product Selection		Bundle Diameter Min.	Bundle Diameter Max.	Minimum Tensile Strength	Mounting Hole Centers	Mounting Hole Diameter D	Angle/Length	Width W		Length L2		Pkg. Qty.
Part No.	Type							in. (mm)	in. (mm)	lbs. (N)	in. (mm)	
151-01416	RCA180SM8	0.24 (6.2)	0.54 (13.7)	100.0 (445.0)	1.99 (50.5)	0.327 (8.31)	180° Short	1.37 (34.9)	3.27 (83.1)	400		
151-01417	RCA180SM10	0.24 (6.2)	0.54 (13.7)	100.0 (445.0)	1.99 (50.5)	0.405 (10.29)		1.37 (34.9)	3.27 (83.1)	400		
151-01418	RCA180SM12	0.24 (6.2)	0.54 (13.7)	100.0 (445.0)	1.99 (50.5)	0.510 (12.95)		1.37 (34.9)	3.27 (83.1)	400		
151-01419	RCA180MM8	0.24 (6.2)	0.54 (13.7)	100.0 (445.0)	2.85 (72.5)	0.327 (8.31)	180° Medium	1.37 (34.9)	4.14 (105.1)	400		
151-01420	RCA180MM10	0.24 (6.2)	0.54 (13.7)	100.0 (445.0)	2.85 (72.5)	0.405 (10.29)		1.37 (34.9)	4.14 (105.1)	400		
151-01421	RCA180MM12	0.24 (6.2)	0.54 (13.7)	100.0 (445.0)	2.85 (72.5)	0.510 (12.95)		1.37 (34.9)	4.14 (105.1)	400		
151-01422	RCA180LM8	0.24 (6.2)	0.54 (13.7)	100.0 (445.0)	3.68 (93.5)	0.327 (8.31)	180° Long	1.37 (34.9)	5.28 (134.1)	400		
151-01423	RCA180LM10	0.24 (6.2)	0.54 (13.7)	100.0 (445.0)	3.68 (93.5)	0.405 (10.29)		1.37 (34.9)	5.28 (134.1)	400		
151-01424	RCA180LM12	0.24 (6.2)	0.54 (13.7)	100.0 (445.0)	3.68 (93.5)	0.510 (12.95)		1.37 (34.9)	5.28 (134.1)	400		
151-01425	RCA15SM8	0.24 (6.2)	0.54 (13.7)	100.0 (445.0)	1.83 (46.5)	0.327 (8.31)	15° Short	1.37 (34.9)	3.1 (78.7)	400		
151-01426	RCA15SM10	0.24 (6.2)	0.54 (13.7)	100.0 (445.0)	1.83 (46.5)	0.405 (10.29)		1.37 (34.9)	3.1 (78.7)	400		
151-01427	RCA15SM12	0.24 (6.2)	0.54 (13.7)	100.0 (445.0)	1.83 (46.5)	0.510 (12.95)		1.37 (34.9)	3.1 (78.7)	400		
151-01428	RCA30SM8	0.24 (6.2)	0.54 (13.7)	100.0 (445.0)	1.59 (40.3)	0.327 (8.31)	30° Short	1.37 (34.9)	2.8 (71.2)	400		
151-01429	RCA30SM10	0.24 (6.2)	0.54 (13.7)	100.0 (445.0)	1.59 (40.3)	0.405 (10.29)		1.37 (34.9)	2.8 (71.2)	400		
151-01430	RCA30SM12	0.24 (6.2)	0.54 (13.7)	100.0 (445.0)	1.59 (40.3)	0.510 (12.95)		1.37 (34.9)	2.8 (71.2)	400		
151-01431	RCA30LM8	0.24 (6.2)	0.54 (13.7)	100.0 (445.0)	2.85 (72.4)	0.327 (8.31)	30° Long	1.37 (34.9)	4.06 (103.2)	400		
151-01432	RCA30LM10	0.24 (6.2)	0.54 (13.7)	100.0 (445.0)	2.85 (72.4)	0.405 (10.29)		1.37 (34.9)	4.06 (103.2)	400		
151-01433	RCA30LM12	0.24 (6.2)	0.54 (13.7)	100.0 (445.0)	2.85 (72.4)	0.510 (12.95)		1.37 (34.9)	4.06 (103.2)	400		
151-01434	RCA90SM8	0.24 (6.2)	0.54 (13.7)	100.0 (445.0)	0.98 (24.9)	0.327 (8.31)	90° Short	1.37 (34.9)	2.29 (58.2)	400		
151-01435	RCA90SM10	0.24 (6.2)	0.54 (13.7)	100.0 (445.0)	0.98 (24.9)	0.405 (10.29)		1.37 (34.9)	2.29 (58.2)	400		
151-01436	RCA90SM12	0.24 (6.2)	0.54 (13.7)	100.0 (445.0)	0.98 (24.9)	0.510 (12.95)		1.37 (34.9)	2.29 (58.2)	400		
151-01437	RCA90LM8	0.24 (6.2)	0.54 (13.7)	100.0 (445.0)	0.98 (24.9)	0.327 (8.31)	90° Long	1.37 (34.9)	2.29 (58.2)	400		
151-01438	RCA90LM10	0.24 (6.2)	0.54 (13.7)	100.0 (445.0)	0.98 (24.9)	0.405 (10.29)		1.37 (34.9)	2.29 (58.2)	400		
151-01439	RCA90LM12	0.24 (6.2)	0.54 (13.7)	100.0 (445.0)	0.98 (24.9)	0.510 (12.95)		1.37 (34.9)	2.29 (58.2)	400		

Use Part No. for ordering and Type for specification purposes.

# Bundling & Securing Solutions

Ratchet P Clamp - Size B

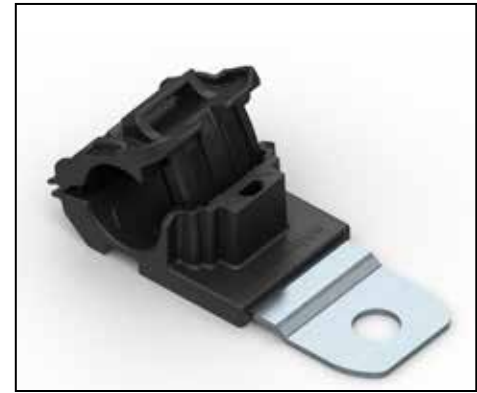
## Ratchet P Clamp

For bundle diameters from 1/2" to 3/4"

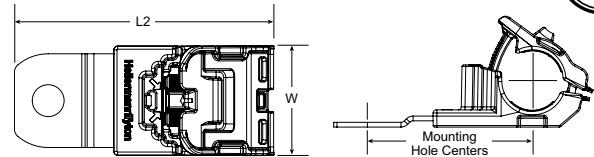
The Ratchet P Clamp family offers versatility when managing wires, cables, and hoses. The robust design and durable materials make it ideal for heavy duty applications, both indoors and out. The one-piece adjustable clamp can be closed by hand to the desired bundle diameter. The release feature provides an easy and non-destructive removal of cables by simply using a flat head screwdriver. This nondestructive release allows the clamp to be reused without removing or replacing any bolts or screws. The Ratchet P Clamp is offered in four sizes and in multiple mounting configurations.

### Features and Benefits

- One-piece ratchet closure design allows for easy installation during pre- or final assembly.
- Four sizes and multiple configurations handle a wide range of diameters and applications, reducing part inventory.
- Clamp interior is designed to guide and center bundle to reduce pinching.
- Easy release feature allows for quick adjustments and maintenance.
- Impact-modified, heat and UV stabilized PA66 provides long-term durability, inside and out.
- Steel mounting plate tolerates high torque mounting and is treated to resist chemicals and salt spray.
- Soft material inserts are available for sensitive bundles.
- For pre-determined clamp pressure, a Tension Tab is available for use with our EVO Series hand tools.



Material Data	
Material	Polyamide 6.6 high impact modified, heat and UV stabilized (PA66HIRHSUV)
Operating Temperature	-40°F to +221°F (-40°C to +105°C)
Flammability	UL94 HB



Product Selection		Bundle Diameter Min.	Bundle Diameter Max.	Minimum Tensile Strength	Mounting Hole Centers	Mounting Hole Diameter D	Angle/Length	Width W		Length L2		Pkg. Qty.
Part No.	Type							in. (mm)	in. (mm)	lbs. (N)	in. (mm)	
151-01440	RCB180SM8	0.52 (13.2)	0.77 (19.5)	100.0 (445.0)	2.08 (52.8)	0.327 (8.31)	180° Short	1.37 (34.9)	3.27 (83.1)	400		
151-01390	RCB180SM10	0.52 (13.2)	0.77 (19.5)	100.0 (445.0)	2.08 (52.8)	0.405 (10.29)		1.37 (34.9)	3.27 (83.1)	400		
151-01441	RCB180SM12	0.52 (13.2)	0.77 (19.5)	100.0 (445.0)	2.08 (52.8)	0.510 (12.95)		1.37 (34.9)	3.27 (83.1)	400		
151-01442	RCB180MM8	0.52 (13.2)	0.77 (19.5)	100.0 (445.0)	2.94 (74.8)	0.327 (8.31)	180° Medium	1.37 (34.9)	4.14 (105.1)	400		
151-01443	RCB180MM10	0.52 (13.2)	0.77 (19.5)	100.0 (445.0)	2.94 (74.8)	0.405 (10.29)		1.37 (34.9)	4.14 (105.1)	400		
151-01444	RCB180MM12	0.52 (13.2)	0.77 (19.5)	100.0 (445.0)	2.94 (74.8)	0.510 (12.95)		1.37 (34.9)	4.14 (105.1)	400		
151-01445	RCB180LM8	0.52 (13.2)	0.77 (19.5)	100.0 (445.0)	3.77 (95.8)	0.327 (8.31)	180° Long	1.37 (34.9)	5.28 (134.1)	400		
151-01446	RCB180LM10	0.52 (13.2)	0.77 (19.5)	100.0 (445.0)	3.77 (95.8)	0.405 (10.29)		1.37 (34.9)	5.28 (134.1)	400		
151-01447	RCB180LM12	0.52 (13.2)	0.77 (19.5)	100.0 (445.0)	3.77 (95.8)	0.510 (12.95)		1.37 (34.9)	5.28 (134.1)	400		
151-01448	RCB15SM8	0.52 (13.2)	0.77 (19.5)	100.0 (445.0)	1.9 (48.3)	0.327 (8.31)	15° Short	1.37 (34.9)	3.1 (78.7)	400		
151-01449	RCB15SM10	0.52 (13.2)	0.77 (19.5)	100.0 (445.0)	1.9 (48.3)	0.405 (10.29)		1.37 (34.9)	3.1 (78.7)	400		
151-01450	RCB15SM12	0.52 (13.2)	0.77 (19.5)	100.0 (445.0)	1.9 (48.3)	0.510 (12.95)		1.37 (34.9)	3.1 (78.7)	400		
151-01451	RCB30SM8	0.52 (13.2)	0.77 (19.5)	100.0 (445.0)	1.63 (41.4)	0.327 (8.31)	30° Short	1.37 (34.9)	2.8 (71.2)	400		
151-01452	RCB30SM10	0.52 (13.2)	0.77 (19.5)	100.0 (445.0)	1.63 (41.4)	0.405 (10.29)		1.37 (34.9)	2.8 (71.2)	400		
151-01453	RCB30SM12	0.52 (13.2)	0.77 (19.5)	100.0 (445.0)	1.63 (41.4)	0.510 (12.95)		1.37 (34.9)	2.8 (71.2)	400		
151-01454	RCB30LM8	0.52 (13.2)	0.77 (19.5)	100.0 (445.0)	2.89 (73.5)	0.327 (8.31)	30° Long	1.37 (34.9)	4.06 (103.2)	400		
151-01455	RCB30LM10	0.52 (13.2)	0.77 (19.5)	100.0 (445.0)	2.89 (73.5)	0.405 (10.29)		1.37 (34.9)	4.06 (103.2)	400		
151-01456	RCB30LM12	0.52 (13.2)	0.77 (19.5)	100.0 (445.0)	2.89 (73.5)	0.510 (12.95)		1.37 (34.9)	4.06 (103.2)	400		
151-01457	RCB90SM8	0.52 (13.2)	0.77 (19.5)	100.0 (445.0)	1.05 (26.7)	0.327 (8.31)	90° Short	1.37 (34.9)	2.29 (58.2)	400		
151-01458	RCB90SM10	0.52 (13.2)	0.77 (19.5)	100.0 (445.0)	1.05 (26.7)	0.405 (10.29)		1.37 (34.9)	2.29 (58.2)	400		
151-01459	RCB90SM12	0.52 (13.2)	0.77 (19.5)	100.0 (445.0)	1.05 (26.7)	0.510 (12.95)		1.37 (34.9)	2.29 (58.2)	400		
151-01460	RCB90LM8	0.52 (13.2)	0.77 (19.5)	100.0 (445.0)	1.05 (26.7)	0.327 (8.31)	90° Long	1.37 (34.9)	2.29 (58.2)	400		
151-01461	RCB90LM10	0.52 (13.2)	0.77 (19.5)	100.0 (445.0)	1.05 (26.7)	0.405 (10.29)		1.37 (34.9)	2.29 (58.2)	400		
151-01462	RCB90LM12	0.52 (13.2)	0.77 (19.5)	100.0 (445.0)	1.05 (26.7)	0.510 (12.95)		1.37 (34.9)	2.29 (58.2)	400		

Use Part No. for ordering and Type for specification purposes.

### Ratchet P Clamp

For bundle diameters from 3/4" to 1 3/8"

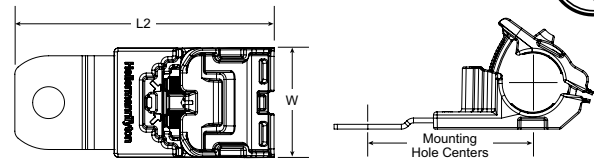
The Ratchet P Clamp family offers versatility when managing wires, cables, and hoses. The robust design and durable materials make it ideal for heavy duty applications, both indoors and out. The one-piece adjustable clamp can be closed by hand to the desired bundle diameter. The release feature provides an easy and non-destructive removal of cables by simply using a flat head screwdriver. This nondestructive release allows the clamp to be reused without removing or replacing any bolts or screws. The Ratchet P Clamp is offered in four sizes and in multiple mounting configurations.

#### Features and Benefits

- One-piece ratchet closure design allows for easy installation during pre- or final assembly.
- Four sizes and multiple configurations handle a wide range of diameters and applications, reducing part inventory.
- Clamp interior is designed to guide and center bundle to reduce pinching.
- Easy release feature allows for quick adjustments and maintenance.
- Impact-modified, heat and UV stabilized PA66 provides long-term durability, inside and out.
- Steel mounting plate tolerates high torque mounting and is treated to resist chemicals and salt spray.
- Soft material inserts are available for sensitive bundles.
- For pre-determined clamp pressure, a Tension Tab is available for use with our EVO Series hand tools.



Material Data	
Material	Polyamide 6.6 high impact modified, heat and UV stabilized (PA66HIRHSUV)
Operating Temperature	-40°F to +221°F (-40°C to +105°C)
Flammability	UL94 HB



Product Selection		Bundle Diameter Min.	Bundle Diameter Max.	Minimum Tensile Strength	Mounting Hole Centers	Mounting Hole Diameter D	Angle/Length	Width W		Length L2		Pkg. Qty.
Part No.	Type							in. (mm)	in. (mm)	lbs. (N)	in. (mm)	
151-01474	RCC180SM8	0.76 (19.4)	1.42 (36.0)	100.0 (445.0)	2.45 (62.3)	0.327 (8.31)	180° Short	1.37 (34.9)	4.06 (103.0)	180		
151-01475	RCC180SM10	0.76 (19.4)	1.42 (36.0)	100.0 (445.0)	2.45 (62.3)	0.405 (10.29)		1.37 (34.9)	4.06 (103.0)	180		
151-01476	RCC180SM12	0.76 (19.4)	1.42 (36.0)	100.0 (445.0)	2.45 (62.3)	0.510 (12.95)		1.37 (34.9)	4.06 (103.0)	180		
151-01477	RCC180MM8	0.76 (19.4)	1.42 (36.0)	100.0 (445.0)	3.32 (84.3)	0.327 (8.31)	180° Medium	1.37 (34.9)	4.92 (125.0)	140		
151-01478	RCC180MM10	0.76 (19.4)	1.42 (36.0)	100.0 (445.0)	3.32 (84.3)	0.405 (10.29)		1.37 (34.9)	4.92 (125.0)	140		
151-01479	RCC180MM12	0.76 (19.4)	1.42 (36.0)	100.0 (445.0)	3.32 (84.3)	0.510 (12.95)		1.37 (34.9)	4.92 (125.0)	140		
151-01480	RCC180LM8	0.76 (19.4)	1.42 (36.0)	100.0 (445.0)	4.46 (113.3)	0.327 (8.31)	180° Long	1.37 (34.9)	6.06 (154.0)	140		
151-01481	RCC180LM10	0.76 (19.4)	1.42 (36.0)	100.0 (445.0)	4.46 (113.3)	0.405 (10.29)		1.37 (34.9)	6.06 (154.0)	140		
151-01482	RCC180LM12	0.76 (19.4)	1.42 (36.0)	100.0 (445.0)	4.46 (113.3)	0.510 (12.95)		1.37 (34.9)	6.06 (154.0)	140		
151-01483	RCC15SM8	0.76 (19.4)	1.42 (36.0)	100.0 (445.0)	2.13 (54.1)	0.327 (8.31)	15° Short	1.37 (34.9)	3.75 (95.2)	180		
151-01484	RCC15SM10	0.76 (19.4)	1.42 (36.0)	100.0 (445.0)	2.13 (54.1)	0.405 (10.29)		1.37 (34.9)	3.75 (95.2)	180		
151-01485	RCC15SM12	0.76 (19.4)	1.42 (36.0)	100.0 (445.0)	2.13 (54.1)	0.510 (12.95)		1.37 (34.9)	3.75 (95.2)	180		
151-01486	RCC30SM8	0.76 (19.4)	1.42 (36.0)	100.0 (445.0)	1.7 (43.1)	0.327 (8.31)	30° Short	1.37 (34.9)	3.26 (82.8)	180		
151-01487	RCC30SM10	0.76 (19.4)	1.42 (36.0)	100.0 (445.0)	1.7 (43.1)	0.405 (10.29)		1.37 (34.9)	3.26 (82.8)	180		
151-01488	RCC30SM12	0.76 (19.4)	1.42 (36.0)	100.0 (445.0)	1.7 (43.1)	0.510 (12.95)		1.37 (34.9)	3.26 (82.8)	180		
151-01489	RCC30LM8	0.76 (19.4)	1.42 (36.0)	100.0 (445.0)	2.96 (75.2)	0.327 (8.31)	30° Long	1.37 (34.9)	4.52 (114.9)	140		
151-01490	RCC30LM10	0.76 (19.4)	1.42 (36.0)	100.0 (445.0)	2.96 (75.2)	0.405 (10.29)		1.37 (34.9)	4.52 (114.9)	140		
151-01491	RCC30LM12	0.76 (19.4)	1.42 (36.0)	100.0 (445.0)	2.96 (75.2)	0.510 (12.95)		1.37 (34.9)	4.52 (114.9)	140		
151-01492	RCC90SM8	0.76 (19.4)	1.42 (36.0)	100.0 (445.0)	1.57 (39.9)	0.327 (8.31)	90° Short	1.37 (34.9)	3.63 (92.2)	180		
151-01493	RCC90SM10	0.76 (19.4)	1.42 (36.0)	100.0 (445.0)	1.57 (39.9)	0.405 (10.29)		1.37 (34.9)	3.63 (92.2)	180		
151-01494	RCC90SM12	0.76 (19.4)	1.42 (36.0)	100.0 (445.0)	1.57 (39.9)	0.510 (12.95)		1.37 (34.9)	3.63 (92.2)	180		
151-01495	RCC90LM8	0.76 (19.4)	1.42 (36.0)	100.0 (445.0)	1.57 (39.9)	0.327 (8.31)	90° Long	1.37 (34.9)	3.63 (92.2)	140		
151-01496	RCC90LM10	0.76 (19.4)	1.42 (36.0)	100.0 (445.0)	1.57 (39.9)	0.405 (10.29)		1.37 (34.9)	3.63 (92.2)	140		
151-01497	RCC90LM12	0.76 (19.4)	1.42 (36.0)	100.0 (445.0)	1.57 (39.9)	0.510 (12.95)		1.37 (34.9)	3.63 (92.2)	140		

Use Part No. for ordering and Type for specification purposes.

# Bundling & Securing Solutions

Ratchet P Clamp - Size D

## Ratchet P Clamp

For bundle diameters from 1<sup>3</sup>/<sub>8</sub>" to 2"

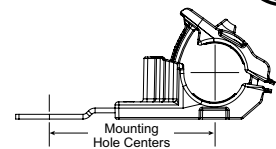
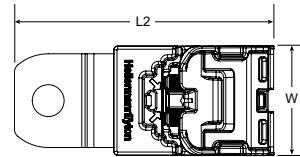
The Ratchet P Clamp family offers versatility when managing wires, cables, and hoses. The robust design and durable materials make it ideal for heavy duty applications, both indoors and out. The one-piece adjustable clamp can be closed by hand to the desired bundle diameter. The release feature provides an easy and non-destructive removal of cables by simply using a flat head screwdriver. This nondestructive release allows the clamp to be reused without removing or replacing any bolts or screws. The Ratchet P Clamp is offered in four sizes and in multiple mounting configurations.

### Features and Benefits

- One-piece ratchet closure design allows for easy installation during pre- or final assembly.
- Four sizes and multiple configurations handle a wide range of diameters and applications, reducing part inventory.
- Clamp interior is designed to guide and center bundle to reduce pinching.
- Easy release feature allows for quick adjustments and maintenance.
- Impact-modified, heat and UV stabilized PA66 provides long-term durability, inside and out.
- Steel mounting plate tolerates high torque mounting and is treated to resist chemicals and salt spray.
- Soft material inserts are available for sensitive bundles.
- For pre-determined clamp pressure, a Tension Tab is available for use with our EVO Series hand tools.



Material Data	
Material	Polyamide 6.6 high impact modified, heat and UV stabilized (PA66HIRHSUV)
Operating Temperature	-40°F to +221°F (-40°C to +105°C)
Flammability	UL94 HB

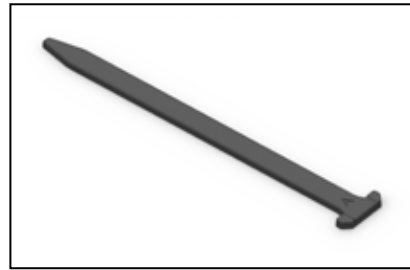


Product Selection		Bundle Diameter Min.	Bundle Diameter Max.	Minimum Tensile Strength	Mounting Hole Centers	Mounting Hole Diameter D	Angle/Length	Width W		Length L2		Pkg. Qty.
Part No.	Type							in. (mm)	in. (mm)	lbs. (N)	in. (mm)	
151-01499	RCD180SM8	1.42 (36.0)	2.01 (51.0)	100.0 (445.0)	2.76 (70.0)	0.327 (8.31)	180° Short	1.37 (34.9)	4.55 (115.5)	180		
151-01501	RCD180SM10	1.42 (36.0)	2.01 (51.0)	100.0 (445.0)	2.76 (70.0)	0.405 (10.29)		1.37 (34.9)	4.55 (115.5)	180		
151-01502	RCD180SM12	1.42 (36.0)	2.01 (51.0)	100.0 (445.0)	2.76 (70.0)	0.510 (12.95)		1.37 (34.9)	4.55 (115.5)	180		
151-01503	RCD180MM8	1.42 (36.0)	2.01 (51.0)	100.0 (445.0)	3.62 (92.0)	0.327 (8.31)	180° Medium	1.37 (34.9)	5.41 (137.5)	140		
151-01504	RCD180MM10	1.42 (36.0)	2.01 (51.0)	100.0 (445.0)	3.62 (92.0)	0.405 (10.29)		1.37 (34.9)	5.41 (137.5)	140		
151-01505	RCD180MM12	1.42 (36.0)	2.01 (51.0)	100.0 (445.0)	3.62 (92.0)	0.510 (12.95)		1.37 (34.9)	5.41 (137.5)	140		
151-01506	RCD180LM8	1.42 (36.0)	2.01 (51.0)	100.0 (445.0)	4.45 (113.0)	0.327 (8.31)	180° Long	1.37 (34.9)	6.56 (166.5)	140		
151-01507	RCD180LM10	1.42 (36.0)	2.01 (51.0)	100.0 (445.0)	4.45 (113.0)	0.405 (10.29)		1.37 (34.9)	6.56 (166.5)	140		
151-01508	RCD180LM12	1.42 (36.0)	2.01 (51.0)	100.0 (445.0)	4.45 (113.0)	0.510 (12.95)		1.37 (34.9)	6.56 (166.5)	140		
151-01509	RCD15SM8	1.42 (36.0)	2.01 (51.0)	100.0 (445.0)	2.40 (60.9)	0.327 (8.31)	15° Short	1.37 (34.9)	4.24 (107.7)	180		
151-01510	RCD15SM10	1.42 (36.0)	2.01 (51.0)	100.0 (445.0)	2.40 (60.9)	0.405 (10.29)		1.37 (34.9)	4.24 (107.7)	180		
151-01511	RCD15SM12	1.42 (36.0)	2.01 (51.0)	100.0 (445.0)	2.40 (60.9)	0.510 (12.95)		1.37 (34.9)	4.24 (107.7)	180		
151-01512	RCD30SM8	1.42 (36.0)	2.01 (51.0)	100.0 (445.0)	1.91 (48.5)	0.327 (8.31)	30° Short	1.37 (34.9)	3.74 (95.0)	180		
151-01513	RCD30SM10	1.42 (36.0)	2.01 (51.0)	100.0 (445.0)	1.91 (48.5)	0.405 (10.29)		1.37 (34.9)	3.74 (95.0)	180		
151-01514	RCD30SM12	1.42 (36.0)	2.01 (51.0)	100.0 (445.0)	1.91 (48.5)	0.510 (12.95)		1.37 (34.9)	3.74 (95.0)	180		
151-01515	RCD30LM8	1.42 (36.0)	2.01 (51.0)	100.0 (445.0)	3.17 (80.5)	0.327 (8.31)	30° Long	1.37 (34.9)	5.00 (127.0)	140		
151-01516	RCD30LM10	1.42 (36.0)	2.01 (51.0)	100.0 (445.0)	3.17 (80.5)	0.405 (10.29)		1.37 (34.9)	5.00 (127.0)	140		
151-01517	RCD30LM12	1.42 (36.0)	2.01 (51.0)	100.0 (445.0)	3.17 (80.5)	0.510 (12.95)		1.37 (34.9)	5.00 (127.0)	140		
151-01518	RCD90SM8	1.42 (36.0)	2.01 (51.0)	100.0 (445.0)	1.67 (42.4)	0.327 (8.31)	90° Short	1.37 (34.9)	3.52 (89.4)	180		
151-01519	RCD90SM10	1.42 (36.0)	2.01 (51.0)	100.0 (445.0)	1.67 (42.4)	0.405 (10.29)		1.37 (34.9)	3.52 (89.4)	180		
151-01520	RCD90SM12	1.42 (36.0)	2.01 (51.0)	100.0 (445.0)	1.67 (42.4)	0.510 (12.95)		1.37 (34.9)	3.52 (89.4)	180		
151-01521	RCD90LM8	1.42 (36.0)	2.01 (51.0)	100.0 (445.0)	1.67 (42.4)	0.327 (8.31)	90° Long	1.37 (34.9)	3.52 (89.4)	140		
151-01522	RCD90LM10	1.42 (36.0)	2.01 (51.0)	100.0 (445.0)	1.67 (42.4)	0.405 (10.29)		1.37 (34.9)	3.52 (89.4)	140		
151-01523	RCD90LM12	1.42 (36.0)	2.01 (51.0)	100.0 (445.0)	1.67 (42.4)	0.510 (12.95)		1.37 (34.9)	3.52 (89.4)	140		

Use Part No. for ordering and Type for specification purposes.

### Accessories

The Ratchet P Clamp family offers optional accessories for different user needs. The Tension Tab provides a specified tension when clamping around the bundle when used with the EVO Series hand tools. The Soft Inserts deliver an additional level of protection for sensitive bundles or high vibration applications.



Tension Tab



Soft Insert

Material Data - Tension Tab	
Material	Polyamide 6.6 high impact modified, heat and UV stabilized (PA66HIRHSUV)
Operating Temperature	-40°F to +221°F (-40°C to +105°C)
Flammability	UL94 HB

Material Data - Soft Inserts	
Material	Thermoplastic Elastomer (TPE)
Operating Temperature	-40°F to +194°F (-40°C to +90°C)
Flammability	UL94 HB

Product Selection			
Part No.	Type	Description	Pkg. Qty.
151-01529	RCTT	Ratchet P Clamp Tension Tab, PA66HIRHSUV, 100/bag	100
151-01530	RCINSERTA	Ratchet P Clamp Size A Soft Insert, Thermoplastic Elastomer, 100/bag	100
151-01531	RCINSERTB	Ratchet P Clamp Size B Soft Insert, Thermoplastic Elastomer, 100/bag	100
151-01532	RCINSERTC	Ratchet P Clamp Size C Soft Insert, Thermoplastic Elastomer, 100/bag	100
151-01533	RCINSERTD	Ratchet P Clamp Size D Soft Insert, Thermoplastic Elastomer, 100/bag	100

Use Part No. for ordering and Type for specification purposes.

Note: Using Soft Inserts will reduce clamp diameter range, please test in application to ensure the proper fit.

### EVO Cable Tie Application Tools

EVO® Series cable tie application tools combine durability, precision and control with unparalleled comfort. The innovative, ergonomic design minimizes the stress on hands and wrists and “kickback” that occur with traditional tools, reducing the risk of repetitive motion injuries. EVO tools tension and apply HellermannTyton cable ties and Ratchet P Clamps.



#### Features and Benefits

- Use with Tension Tab to tension and apply Ratchet P Clamps.
- EVO tool models are available for tensioning and cutting 18 to 250 lb. cable ties.
- Easy-to-adjust tension knob offers 33 different settings for precise, repeatable applications.
- Advanced ergonomic design minimizes necessary hand force and “kickback” to reduce repetitive motion injuries.

Product Selection			
Part No.	Type	Description	Pkg. Qty.
110-80000	EVO9	EVO 9 Mechanical Hand Tool, Standard Hand Span 90mm	1
110-80004	EVO9HT	EVO 9HT High Tension Mechanical Hand Tool, Tension Range 27 lb to 116 lb	1
110-70083	EVO7	EVO 7 Mechanical Hand Tool, Standard Hand Span 3.5	1
110-70084	EVO7SP	EVO 7SP Mechanical Hand Tool, Short Hand Span 3.1	1

Use Part No. for ordering and Type for specification purposes.

**HellermannTyton North American  
Corporate Headquarters**

7930 N. Faulkner Rd, PO Box 245017  
Milwaukee, WI 53224-9517  
Phone: (414) 355-1130, (800) 537-1512  
Fax: (414) 355-7341, (800) 848-9866  
email: corp@htamericas.com  
www.hellermann.tyton.com

***TS16949, ISO 9001, and ISO14001 certified***

**HellermannTyton Canada**

Unit #4, 205 Industrial Parkway North  
Aurora, Ontario L4G 4C4 Canada  
Phone: (800) 661-2461  
Fax: (800) 390-3904  
email: sales@hellermanntyton.ca

**HellermannTyton Mexico**

Anillo Periferico Sur 7980 Edificio 6A  
Parque Industrial Tecnologico II  
Santa María Tequepexpan  
Tlaquepaque, Jalisco, Mexico 45601  
Phone: 011-52-33-3-133-9880  
Fax: 011-52-33-3-133-9861  
email: info@htamericas.com.mx

***ISO 9001 certified***

**Warranty Policy**

HellermannTyton products are warranted to be free from defects in material and workmanship at the time sold by us; but our obligation under this warranty and that of the seller is limited to the replacement of the product, and neither we nor the seller are bound by any other warranty, expressed, implied or statutory. Under no circumstances are we or the seller liable for any loss, damage, expenses or consequential damages of any kind arising out of the use or inability to use these products. All are sold with the understanding that the user will test them in actual use and determine their adaptability for the intended uses.



**HellermannTyton**

© HellermannTyton Corporation  
LITPD310, Printed 02.2016